

FOOD & BEVERAGE

Baldor-Reliance® Food Safe

Stainless steel NEMA motors

BALDOR • RELIANCE



- Food safety first priority of design
- Reliability in intense cleaning environments
- Worker safety from installation through operation

Food & beverage



Baldor-Reliance Food safe motors

Now more than ever, it is vital that food and beverage companies choose supplier partners that understand their processes, helping to improve plant reliability, sustainability and achieve productivity goals.

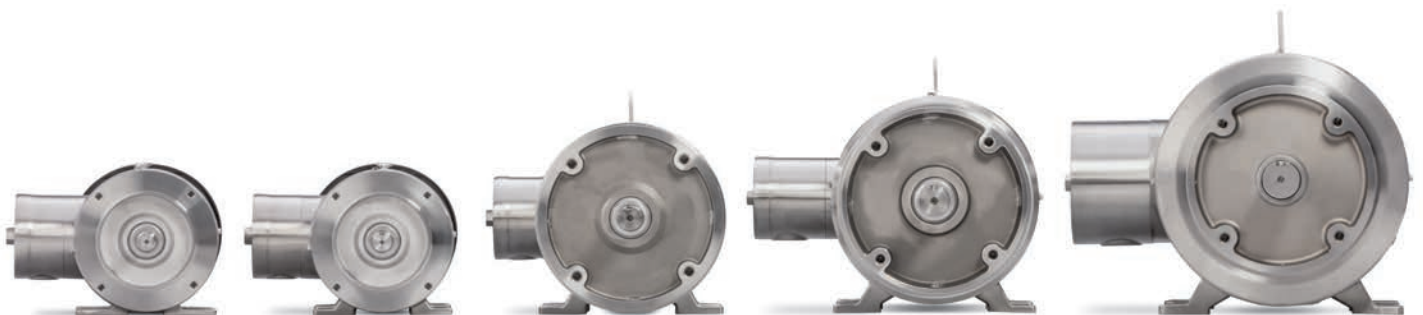
As food producers fight to remain competitive and profitable, all food processing equipment should be designed, used, and maintained with food safety principles in mind. Violations of these practices can cost companies thousands, if not millions, to resolve. It is important to not only consider the initial purchase price, but also, the total cost of ownership (TCO), including the cleanability and reliability of the equipment.

"It can take a single incident to eradicate decades of consumer trust."

For over three decades, ABB has listened to equipment designers, operators and plant maintenance engineers. We've learned about their toughest processing applications in poultry, meat, dairy, snack foods and pharmaceuticals. We took notes when they shared their wish lists of product capabilities and characteristics.

Today's input: **reliability** and **cleanability**

Baldor-Reliance Food safe motors are designed to perform reliably- at maximum efficiency- around the clock and be effectively cleaned to a hygienic level to ensure uncompromised food safety.



Reliability

In extreme environments

Corrosive agents, moisture and harsh cleaning chemicals are everyday realities in food and beverage processing. This makes the use of corrosion-resistant materials key to extending the life and reliability of your equipment/motor.

ABB's Baldor-Reliance Food Safe stainless-steel motors are designed to perform longer than any other industrial electric motor available today.

Stainless steel

An all stainless-steel construction including housing, conduit box, drain plugs, hardware, fan cover and endplates safeguard against corrosion to avoid costly downtime and repairs. Baldor-Reliance Food Safe motors utilize stainless steel material that meet NAMI (North American Meat Institute) guidelines for compatible materials.

Encapsulation / potted leads

Hardened epoxy resin completely encapsulates the windings for an additional layer of internal protection against water and humidity. The encapsulation extends into the conduit box to prevent moisture from entering the winding.

Shaft seals

Our two-barrier mechanical seal prevents water from entering at the shaft extension of the motor. The viton material is chemical resistant, withstands high temperature, and direct spray.

Winding insulation

Food manufacturing plants often have extreme temperature ranges due to processing requirements. To ensure your motor can withstand these swings; Baldor-Reliance Food Safe motors are designed with high temperature Class H insulation with low temperature (Class B) rise for longer insulation and bearing life.

IP69 for water



Flexibility & safety

As operations expand, space and infrastructure become tighter and more congested for service technicians to maintenance and install new equipment. To ease the process, Baldor-Reliance Food Safe motors are flexible to ensure installation is seamless and simple, all while keeping workers safe when handling and commissioning the motor.

Our **rotatable conduit box** eliminates the need to reorient the motor or reroute your power supply. The middle portion of our 3-piece conduit box can be rotated 360 degrees (at 90 degree increments) to rotate the lead opening in the direction you need it.

When it comes to connecting the leads, our **color-coded leads** system is easily identifiable and simplifies connections points. To ensure a watertight connection, we provide waterproof heat shrink connectors with every motor.

Lifting provisions on 180 - 280 frame sizes allow technicians to safely handle and maneuver larger motors without the potential of injury.

Availability

Built in US manufacturing facilities and available from our industry leading distribution network assures that Food Safe motors are available when and where you need them.

Main specifications	
Rated horsepower	0.5 - 30 Hp, three phase
	0.5 - 1 Hp, single phase
Enclosures	TENV (up to 3 Hp), TEFC
Frame sizes	56C - 286TC
Mounting	Foot mounted, footless (up to 15 Hp)
	Standard, C-face, JM
Voltage	208-230/460; 575 V, three phase
	115/230 V, single phase
Protection	IP69 for water
Insulation class	Class H, with B rise
Lifting provisions	180 - 280 frame
Efficiency	NEMA Premium® (three phase)



Cleanability

Effective and efficient

Regular equipment cleaning regimens are required to meet stringent health and safety regulations. To ensure cleanliness, equipment needs to be easily cleaned-in-place (CIP) and properly inspected for safety assurance.



TEFC or TENV

TENV motors eliminate the potential for water and contamination ingress at the non-drive end.

Stainless steel external **drains** and **hardware** have smooth heads to reduce the risk of pooling and contamination.

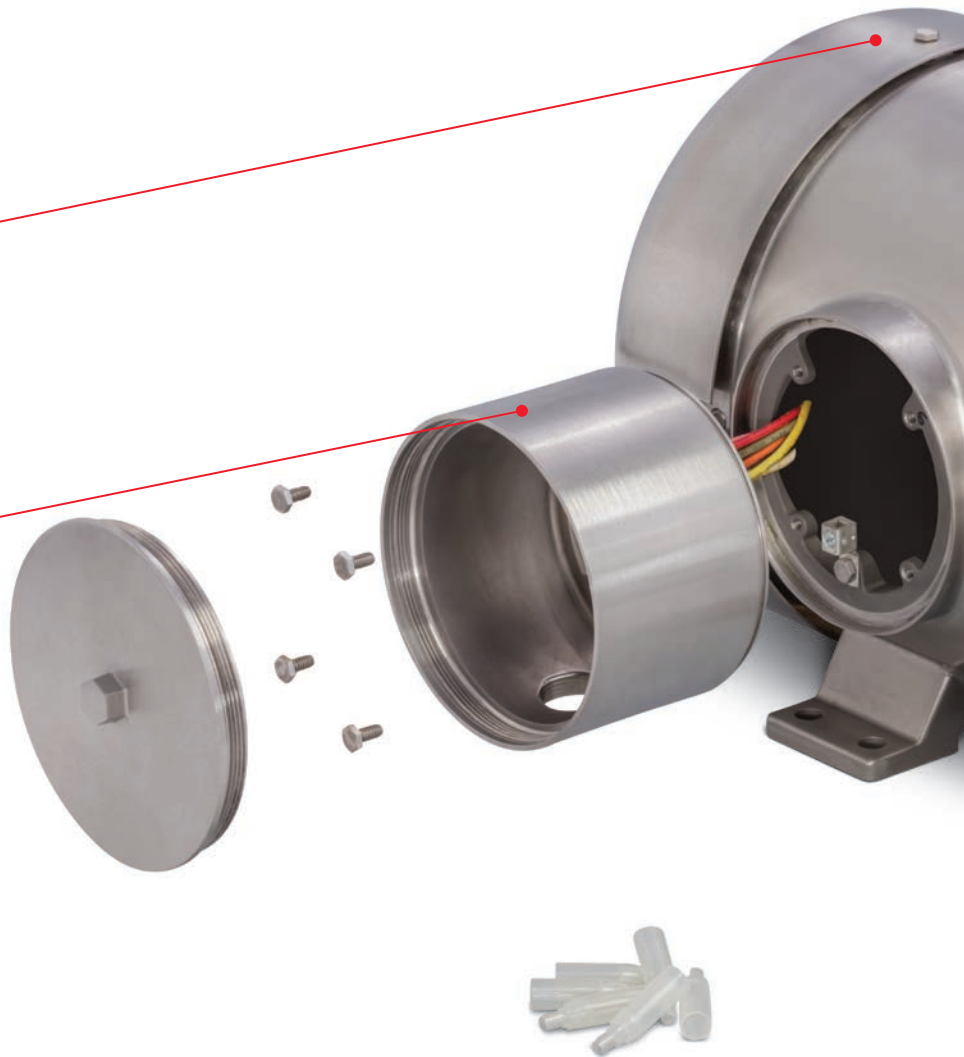
Rotatable, round conduit box

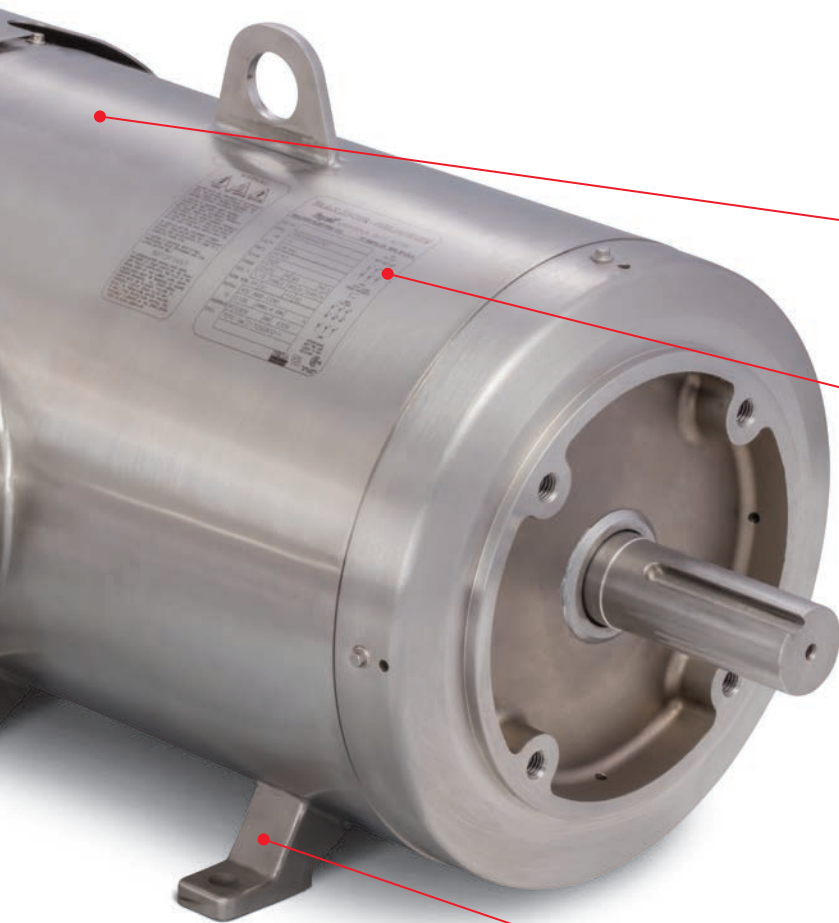
Three phase only. Our 3-piece rotatable conduit box offers flexibility and safety for lead connection orientation. Waterproof lead connections come standard with every motor. Being round allows for water and debris to easily shed from the motor.



Single phase

Single phase ratings have a single conduit box to house the capacitor and leads. Mechanical joints are minimized to one central box that has a gasket with flashing to prevent water from entering the conduit area.



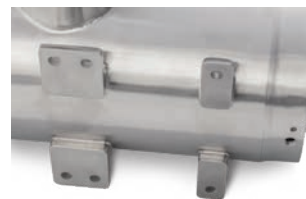


Smooth contours and finish

The smooth contours and finish of the stainless steel material allow for water and debris to shed from the motor housing.

Laser marked nameplate

We've fine-tuned how to properly mark motor information to make it legible over the course of the motor's life and be free of pitting and catch points.



Independent feet (or footless)

Independently welded feet which allow the motor to be effectively cleaned and inspected, especially underneath the motor. An area typically ignored during the cleaning process.

Footless designs allow easier cleaning and eliminates a collection point for food and debris to build up.

Three phase, totally enclosed, C-Face, foot mounted, encapsulated

Hp	RPM	NEMA frame	Enclosure	Catalog number	List price	Mult. sym.	"C" dim.	Aprx. wt. (lb.)	Full load efficiency	Voltage	Full load amps	
1/2	3600	56C	TENV	CFSWDM3537-E	1,624	FS	11.78	50	84	208-230/460	0.7	
	1800	56C	TENV	CFSWDM3538-E	1,648	FS	11.78	46	84	208-230/460	0.9	
	1200	56C	TENV	CFSWDM3539-E	1,980	FS	12.78	37	77	208-230/460	0.9	
3/4	3600	56C	TENV	CFSWDM3541-E	1,678	FS	11.78	53	86.5	208-230/460	1	
	1800	56C	TENV	CFSWDM3542-E	1,704	FS	12.78	58	84	208-230/460	1.3	
	1200	56C	TENV	CFSWDM3543-E	2,035	FS	13.67	63	82.5	208-230/460	1.3	
1	3600	56C	TENV	CFSWDM3545-E	1,762	FS	11.78	59	82.5	230/460	1.4	
	1800	56C	TENV	CFSWDM3546-E	1,780	FS	12.78	59	85.5	230/460	1.5	
		143TC	TENV	CFSWDM3546T-E	1,794	FS	12.84	59	85.5	230/460	1.5	
	1200	56C	TENV	CFSWDM3556-E	2,041	FS	15.08	68	84	230/460	1.7	
		56C	TEFC	CFSWDM3556-E	2,104	FS	14.83	73	82.5	230/460	1.7	
1-1/2	3600	56C	TENV	CFSWDM3550-E	1,785	FS	13.67	62	85.5	230/460	1.8	
		143TC	TENV	CFSWDM3550T-E	1,800	FS	13.72	63	85.5	230/460	1.8	
	1800	56C	TENV	CFSWDM3554-E	1,761	FS	15.04	66	86.5	230/460	2.1	
		56C	TEFC	CFSWDM3554-E	1,824	FS	13.96	50	86.5	230/460	2.2	
		145TC	TENV	CFSWDM3554T-E	1,812	FS	15.09	68	86.5	230/460	2.1	
		145TC	TEFC	CFSWDM3554T-E	1,875	FS	14.03	68	86.5	230/460	2.2	
	1200	182TC	TEFC	CFSWDM3607T-E	2,332	FS	18.89	68	87.5	230/460	2.6	
	2	3600	56C	TENV	CFSWDM3555-E	2,104	FS	15.04	64	88.5	230/460	2.4
			56C	TEFC	CFSWDM3555-E	2,199	FS	14.90	60	86.5	230/460	2.5
		1800	145TC	TENV	CFSWDM3555T-E	2,150	FS	15.09	64	88.5	230/460	2.4
145TC			TEFC	CFSWDM3555T-E	2,213	FS	14.90	60	86.5	230/460	2.5	
1200		56C	TENV	CFSWDM3558-E	2,135	FS	15.09	56	88.5	230/460	2.8	
		56C	TEFC	CFSWDM3558-E	2,198	FS	13.96	72	86.5	230/460	2.8	
	145TC	TENV	CFSWDM3558T-E	2,176	FS	15.09	56	88.5	230/460	2.8		
	145TC	TEFC	CFSWDM3558T-E	2,239	FS	14.03	73	86.5	230/460	2.8		
3	1200	184TC	TEFC	CFSWDM3614T-E	2,589	FS	18.89	125	88.5	230/460	3.5	
	3600	145TC	TEFC	CFSWDM3559T-E	2,608	FS	16.28	81	86.5	230/460	3.7	
		182TC	TENV	CFSWDM3610T-E	2,699	FS	18.89	93	89.5	230/460	3.5	
	1800	182TC	TENV	CFSWDM3611T-E	2,607	FS	18.89	60	89.5	230/460	4	
		182TC	TEFC	CFSWDM3611T-E	2,688	FS	18.89	83	89.5	230/460	4.2	
		1200	213TC	TEFC	CFSWDM3704T-E	3,411	FS	21.37	158	89.5	230/460	4.5
	3600	184TC	TEFC	CFSWDM3613T-E	2,846	FS	17.39	84	89.5	230/460	5.6	
5	1800	184TC	TEFC	CFSWDM3615T-E	2,867	FS	18.89	101	89.5	230/460	6.5	
	1200	215TC	TEFC	CFSWDM3708T-E	4,040	FS	22.12	179	89.5	230/460	7.4	
	3600	213TC	TEFC	CFSWDM3709T-E	3,570	FS	19.50	129	91	230/460	8.3	
7-1/2	1800	213TC	TEFC	CFSWDM3710T-E	3,644	FS	20.68	136	91.7	230/460	9.5	
	1200	254TC	TEFC	CFSWDM22976T-E	6,936	FS	24.18	255	91	230/460	10.7	
	3600	215TC	TEFC	CFSWDM3711T-E	4,048	FS	20.68	149	91.7	230/460	10.6	
10	1800	215TC	TEFC	CFSWDM3714T-E	4,290	FS	22.12	187	92.4	230/460	12.5	
	1200	256TC	TEFC	CFSWDM23932T-E	7,885	FS	25.18	287	91	230/460	15.1	
	3600	215TC	TEFC	CFSWDM3713T-E	6,071	FS	22.12	188	91.7	230/460	17	
15	1800	254TC	TEFC	CFSWDM23994T-E	7,032	FS	24.18	256	91	230/460	16.5	
	1800	254TC	TEFC	CFSWDM23933T-E	6,932	FS	24.18	281	92.4	230/460	17.5	
	1200	284TC	TEFC	CFSWDM41900T	8,880	FS	28.14	488	91.7	230/460	20	
20	3600	256TC	TEFC	CFSWDM41906T-E	7,970	FS	25.18	295	91	230/460	21.5	
	1800	256TC	TEFC	CFSWDM23934T-E	7,929	FS	25.18	287	93	230/460	23.4	
	1200	284TC	TEFC	CFSWDM41902T	11,355	FS	28.14	493	91.7	230/460	26	
25	3600	284TSC	TEFC	CFSWDM41907T	10,196	FS	28.14	431	91.7	230/460	28	
	1800	284TC	TEFC	CFSWDM41903T	10,139	FS	28.14	471	93.6	230/460	31	
30	3600	284TSC	TEFC	CFSWDM41908T	11,726	FS	28.14	445	91.7	230/460	34	
	1800	284TC	TEFC	CFSWDM41904T	11,660	FS	28.14	485	93.6	230/460	36	

Three phase, 575V, totally enclosed, C-Face, foot mounted, encapsulated

Hp	RPM	NEMA frame	Enclosure	Catalog number	List price	Mult. sym.	"C" dim.	Aprx. wt. (lb.)	Full load efficiency	Voltage	Full load amps
1/2	3600	56C	TENV	CFSWDM3537-5E	1,624	FS	11.78	35	84	575	0.6
	1800	56C	TENV	CFSWDM3538-5E	1,648	FS	11.78	35	84	575	0.7
3/4	1800	56C	TENV	CFSWDM3542-5E	1,704	FS	12.78	40	84	575	1
1	1800	56C	TENV	CFSWDM3546-5E	1,780	FS	12.78	43	85.5	575	1.2
		143TC	TENV	CFSWDM3546T-5E	1,794	FS	12.84	43	85.5	575	1.2
1-1/2	1800	56C	TEFC	CFSWDM3554-5E	1,824	FS	13.96	62	86.5	575	1.7
		145TC	TEFC	CFSWDM3554T-5E	1,875	FS	14.03	64	86.5	575	1.7
2	1800	56C	TEFC	CFSWDM3558-5E	2,223	FS	13.96	45	87	575	2.3
		145TC	TEFC	CFSWDM3558T-5E	2,239	FS	14.03	72	86.5	575	2.3
3	3600	145TC	TEFC	CFSWDM3559T-5E	2,608	FS	14.03	81	86.5	575	2.9
	1800	182TC	TEFC	CFSWDM3611T-5E	2,688	FS	18.89	112	89.5	575	3.3
5	3600	184TC	TEFC	CFSWDM3613T-5E	2,846	FS	17.39	110	89.5	575	4.5
	1800	184TC	TEFC	CFSWDM3615T-5E	2,867	FS	18.89	125	89.5	575	5.1
7-1/2	3600	213TC	TEFC	CFSWDM3709T-5E	3,647	FS	19.50	131	91.0	575	6.6
	1800	213TC	TEFC	CFSWDM3710T-5E	3,721	FS	20.68	139	91.7	575	7.6
10	3600	215TC	TEFC	CFSWDM3711T-5E	4,125	FS	20.68	154	90.2	575	9.1
	1800	215TC	TEFC	CFSWDM3714T-5E	4,367	FS	22.12	187	92.4	575	10.1
15	1800	254TC	TEFC	CFSWDM23933T-5E	7,035	FS	24.18	281	92.4	575	14.2

Three phase, totally enclosed, foot mounted, encapsulated

Hp	RPM	NEMA frame	Enclosure	Catalog number	List price	Mult. sym.	"C" dim.	Aprx. wt. (lb.)	Full load efficiency	Voltage	Full load amps
1/2	1800	56	TENV	FSWDM3538-E	1,613	FS	11.78	35	84	208-230/460	0.9
3/4	1800	56	TENV	FSWDM3542-E	1,669	FS	12.78	37	84	208-230/460	1.3
		56	TENV	FSWDM3546-E	1,745	FS	12.78	41	85.5	230/460	1.5
1	1800	143T	TENV	FSWDM3546T-E	1,759	FS	12.84	41	85.5	230/460	1.5
		145T	TEFC	FSWDM3554T-E	1,918	FS	14.03	45	86.5	230/460	2.2
2	1800	145T	TEFC	FSWDM3558T-E	2,204	FS	14.03	48	86.5	230/460	2.8
3	1800	182T	TEFC	FSWDM3611T-E	2,625	FS	18.89	86	89.5	230/460	4.2
5	1800	184T	TEFC	FSWDM3615T-E	2,804	FS	18.89	101	89.5	230/460	6.5
7-1/2	1800	213T	TEFC	FSWDM3710T-E	3,553	FS	20.68	136	91.7	230/460	9.5
10	1800	215T	TEFC	FSWDM3714T-E	4,199	FS	22.12	187	92.4	230/460	12.5
15	1800	254T	TEFC	FSWDM23933T-E	6,815	FS	24.18	283	92.4	230/460	17.5
20	1800	256T	TEFC	FSWDM23934T-E	7,812	FS	25.18	287	93	230/460	23.4
25	1800	284T	TEFC	FSWDM41903T	10,001	FS	28.14	378	93.6	230/460	31
30	1800	286T	TEFC	FSWDM41904T	11,522	FS	28.14	395	93.6	230/460	36

Three phase, totally enclosed, foot mounted, close-coupled pump, encapsulated

Hp	RPM	NEMA frame	Enclosure	Catalog number	List price	Mult. sym.	"C" dim.	Aprx. wt. (lb.)	Full load efficiency	Voltage	Full load amps
1	1800	143JM	TENV	JMFSWDM3546T-E	2,076	FS	14.97	37	85.5	230/460	1.5
1-1/2	3600	143JM	TENV	JMFSWDM3550T-E	2,159	FS	15.85	50	85.5	230/460	1.8
	1800	145JM	TEFC	JMFSWDM3554T-E	2,171	FS	16.15	45	86.5	230/460	2.2
2	3600	145JM	TEFC	JMFSWDM3555T-E	2,459	FS	17.03	50	86.5	230/460	2.5
	1800	145JM	TEFC	JMFSWDM3558T-E	2,494	FS	18.40	56	88.5	230/460	2.7
3	3600	145JM	TEFC	JMFSWDM3559T-E	2,954	FS	18.40	61	86.5	230/460	3.7
	1800	182JM	TEFC	JMFSWDM3611T-E	3,101	FS	19.72	83	89.5	230/460	4.2
5	3600	184JM	TEFC	JMFSWDM3613T-E	3,340	FS	18.22	81	89.5	230/460	5.6
	1800	184JM	TEFC	JMFSWDM3615T-E	3,363	FS	19.72	101	89.5	230/460	6.5
7-1/2	3600	213JM	TEFC	JMFSWDM3709T-E	3,937	FS	20.62	131	91	230/460	8.3
	1800	213JM	TEFC	JMFSWDM3710T-E	4,011	FS	21.81	139	91.7	230/460	9.5
10	3600	215JM	TEFC	JMFSWDM3711T-E	4,414	FS	21.81	154	91.7	230/460	10.6
	1800	215JM	TEFC	JMFSWDM3714T-E	4,657	FS	23.56	187	92.4	230/460	12.5
15	3600	215JM	TEFC	JMFSWDM3713T-E	6,389	FS	23.56	187	91.7	230/460	17
		254JM	TEFC	JMFSWDM23994T-E	7,439	FS	25.67	265	91	230/460	16.5
	1800	254JM	TEFC	JMFSWDM23933T-E	7,339	FS	25.67	286	92.4	230/460	17.5
20	3600	256JM	TEFC	JMFSWDM41906T-E	8,377	FS	26.67	300	91	230/460	21.5
	1800	256JM	TEFC	JMFSWDM23934T-E	8,336	FS	26.67	295	93	230/460	23.4

Single phase, totally enclosed, C-face, foot mounted

Hp	RPM	NEMA frame	Enclosure	Catalog number	List price	Mult. sym.	"C" dim.	Aprx. wt. (lb.)	Full load efficiency	Voltage	Full load amps
1/2	3600	56C	TEFC	CFSWDL3503	1,381	FS	13.96	33	59.5	115/230	3.6
	1800	56C	TEFC	CFSWDL3504	1,480	FS	13.96	41	70	115/230	3.5
3/4	3600	56C	TEFC	CFSWDL3506	1,529	FS	13.96	33	64	115/230	4.6
	1800	56C	TEFC	CFSWDL3507	1,619	FS	14.83	47	70	115/230	4.6
1	3600	56C	TEFC	CFSWDL3509	1,632	FS	13.96	41	68	115/230	5.8
	1800	56C	TEFC	CFSWDL3510	1,741	FS	16.26	63	72	115/230	5.8

Three phase, totally enclosed, C-Face, footless, encapsulated

Hp	RPM	NEMA frame	Enclosure	Catalog number	List price	Mult. sym.	"C" dim.	Aprx. wt. (lb.)	Full load efficiency	Voltage	Full load amps
1/2	3600	56C	TENV	VFSWDM3537-E	1,546	FS	11.78	35	84	208-230/460	0.7
	1800	56C	TENV	VFSWDM3538-E	1,573	FS	11.78	35	84	208-230/460	0.9
3/4		56C	TEFC	VFSWDM3538-E	1,636	FS	12.96	35	84	208-230/460	0.9
	3600	56C	TENV	VFSWDM3541-E	1,602	FS	11.78	38	86.5	208-230/460	1
	1800	56C	TENV	VFSWDM3542-E	1,628	FS	12.78	41	84	208-230/460	1.3
1		56C	TEFC	VFSWDM3542-E	1,691	FS	13.96	37	84	208-230/460	1.3
	1200	56C	TENV	VFSWDM3543-E	1,959	FS	13.67	45	82.5	208-230/460	1.3
	3600	56C	TENV	VFSWDM3545-E	1,685	FS	11.78	37	82.5	208-230/460	1.4
		56C	TENV	VFSWDM3546-E	1,702	FS	12.78	37	85.5	208-230/460	1.5
	1800	56C	TEFC	VFSWDM3546-E	1,767	FS	13.96	37	85.5	208-230/460	1.5
		143TC	TENV	VFSWDM3546T-E	1,719	FS	12.78	37	85.5	230/460	1.5
1-1/2		143TC	TEFC	VFSWDM3546T-E	1,782	FS	13.96	37	85.5	208-230/460	1.5
	1200	56C	TEFC	VFSWDM3556-E	2,028	FS	14.83	45	82.5	230/460	1.7
	3600	56C	TENV	VFSWDM3550-E	1,708	FS	13.67	53	85.5	230/460	1.8
		143TC	TENV	VFSWDM3550T-E	1,724	FS	13.67	50	85.5	230/460	1.8
		56C	TENV	VFSWDM3554-E	1,685	FS	15.04	59	86.5	230/460	2.1
	1800	56C	TEFC	VFSWDM3554-E	1,748	FS	13.96	45	86.5	230/460	2.2
		145TC	TENV	VFSWDM3554T-E	1,736	FS	15.04	59	86.5	230/460	2.1
		145TC	TEFC	VFSWDM3554T-E	1,799	FS	13.96	45	86.5	230/460	2.2
		56C	TENV	VFSWDM3555-E	2,029	FS	15.04	63	88.5	230/460	2.4
	3600	145TC	TENV	VFSWDM3555T-E	2,074	FS	15.04	63	88.5	230/460	2.4
2		145TC	TEFC	VFSWDM3555T-E	2,137	FS	14.83	50	86.5	230/460	2.5
		56C	TENV	VFSWDM3558-E	2,059	FS	15.04	63	88.5	230/460	2.8
	1800	56C	TEFC	VFSWDM3558-E	2,122	FS	13.96	56	86.5	230/460	2.8
		145TC	TENV	VFSWDM3558T-E	2,100	FS	15.04	63	88.5	230/460	2.8
		145TC	TEFC	VFSWDM3558T-E	2,164	FS	13.96	63	86.5	230/460	2.8
		145TC	TEFC	VFSWDM3559T-E	2,529	FS	16.21	63	86.5	230/460	3.7
3	3600	182TC	TENV	VFSWDM3610T-E	2,602	FS	17.05	96	89.5	230/460	3.5
		182TC	TENV	VFSWDM3611T-E	2,510	FS	17.05	101	89.5	230/460	4
	1800	182TC	TEFC	VFSWDM3611T-E	2,591	FS	18.89	86	89.5	230/460	4.2
5	3600	184TC	TEFC	VFSWDM3613T-E	2,749	FS	17.39	81	89.5	230/460	5.6
	1800	184TC	TEFC	VFSWDM3615T-E	2,771	FS	18.89	101	89.5	230/460	6.5
7-1/2	3600	213TC	TEFC	VFSWDM3709T-E	3,438	FS	19.49	131	91	230/460	8.3
	1800	213TC	TEFC	VFSWDM3710T-E	3,511	FS	20.68	136	91.7	230/460	9.5
10	3600	215TC	TEFC	VFSWDM3711T-E	3,916	FS	20.68	149	91.7	230/460	10.6
	1800	215TC	TEFC	VFSWDM3714T-E	4,158	FS	22.12	187	92.4	230/460	12.5
15	3600	215TC	TEFC	VFSWDM3713T-E	5,939	FS	22.12	187	91.7	230/460	17

Single phase, totally enclosed, C-Face, footless

Hp	RPM	NEMA frame	Enclosure	Catalog number	List price	Mult. sym.	"C" dim.	Aprx. wt. (lb.)	Full load efficiency	Voltage	Full load amps
1/2	3600	56C	TEFC	VFSWDL3503	1,305	FS	13.96	33	59.5	115/230	3.6
	1800	56C	TEFC	VFSWDL3504	1,404	FS	13.96	41	70	115/230	3.5
3/4	3600	56C	TEFC	VFSWDL3506	1,453	FS	13.96	33	64	115/230	4.6
	1800	56C	TEFC	VFSWDL3507	1,543	FS	14.83	47	70	115/230	4.6
1	3600	56C	TEFC	VFSWDL3509	1,556	FS	13.96	41	68	115/230	5.8
	1800	56C	TEFC	VFSWDL3510	1,665	FS	16.26	63	72	115/230	5.8



ABB Motors and Mechanical Inc.

5711 R.S. Boreham, Jr. Street

Fort Smith, AR 72901

Ph: 1.479.646.4711

new.abb.com/motors-generators

Additional information

We reserve the right to make technical changes or modify the contents of this document without prior notice. With regard to purchase orders, the agreed particulars shall prevail. ABB does not accept any responsibility whatsoever for potential errors or possible lack of information in this document.

We reserve all rights in this document and in the subject matter and illustrations contained therein. Any reproduction, disclosure to third parties or utilization of its contents – in whole or in parts – is forbidden without prior written consent of ABB.

© Copyright 2017 ABB. All rights reserved.
Specifications subject to change without notice.